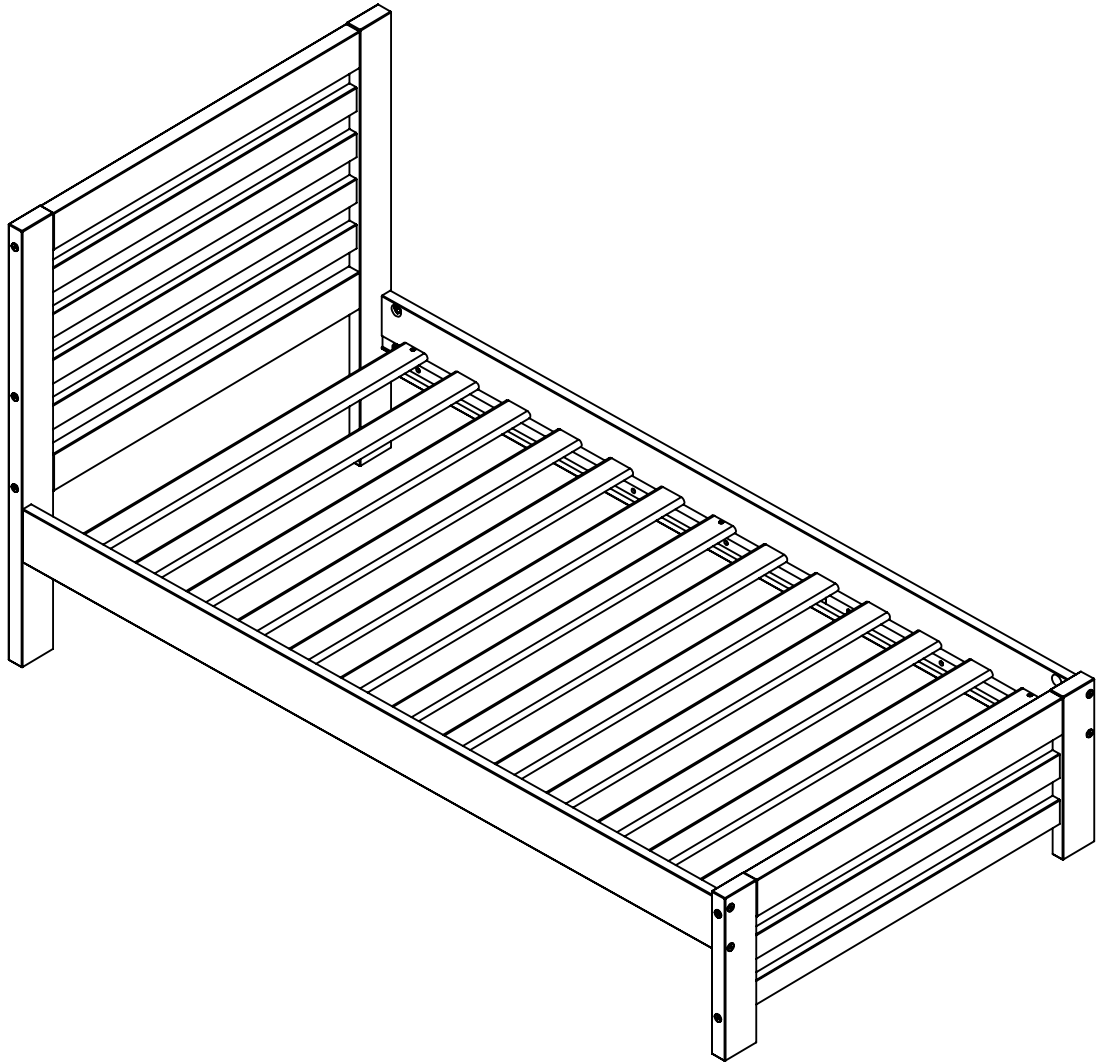
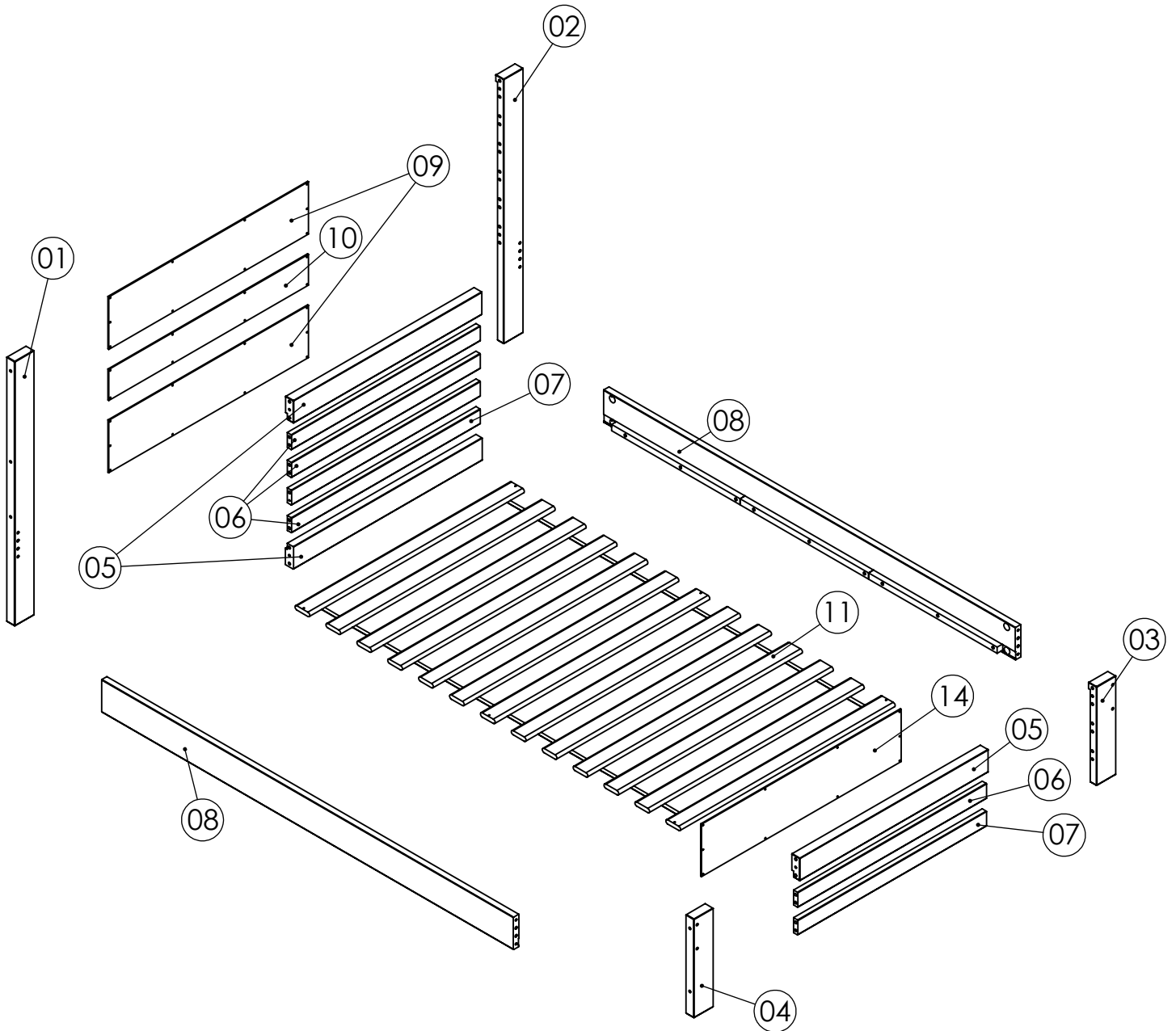


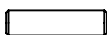



LUNA PLYWOOD

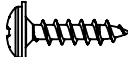





COMPONENTS



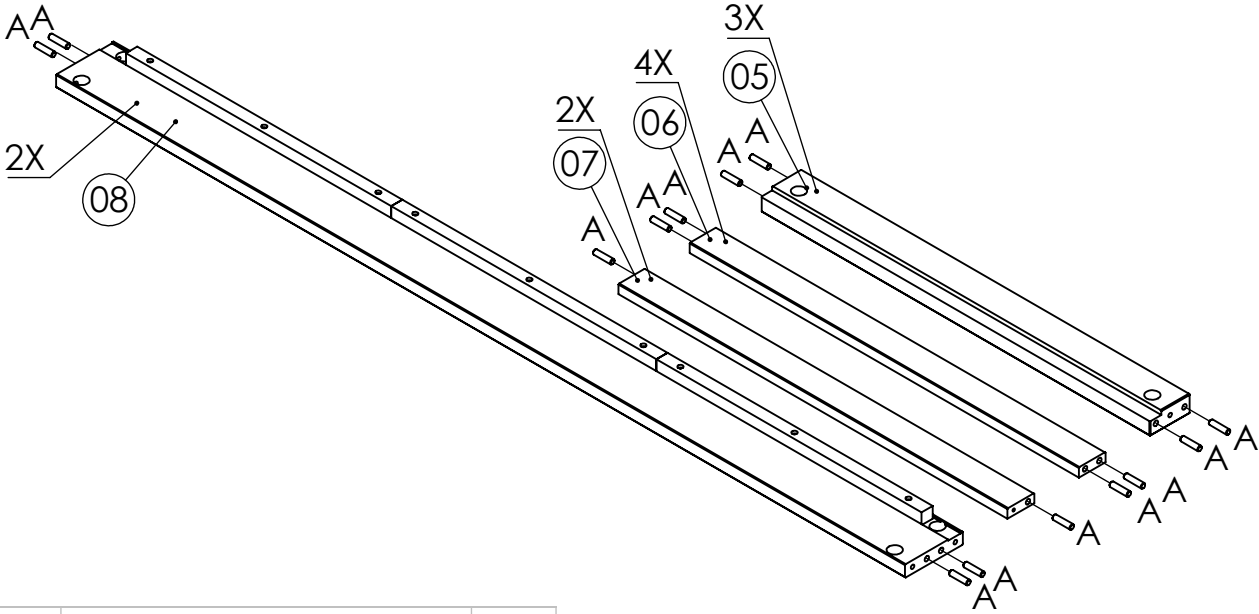
HARDWARE

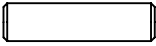
A		10X40	40
C		(17) 1/4 X 130	06
D		(17) 7 X 130	04
F			14

G		CF 3,5X16	38
H		CC 4X35	06
J			01
K		(17) 1/4 X 80	08

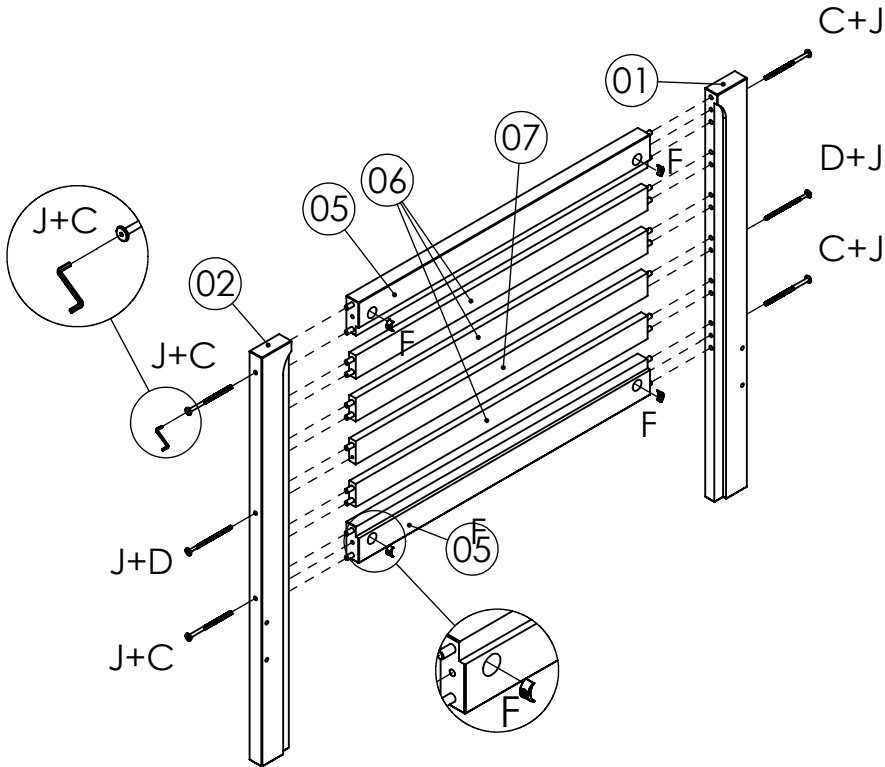
STEP 1

INSERT DOWELS (A)






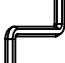
A		40
---	---	----

STEP 2



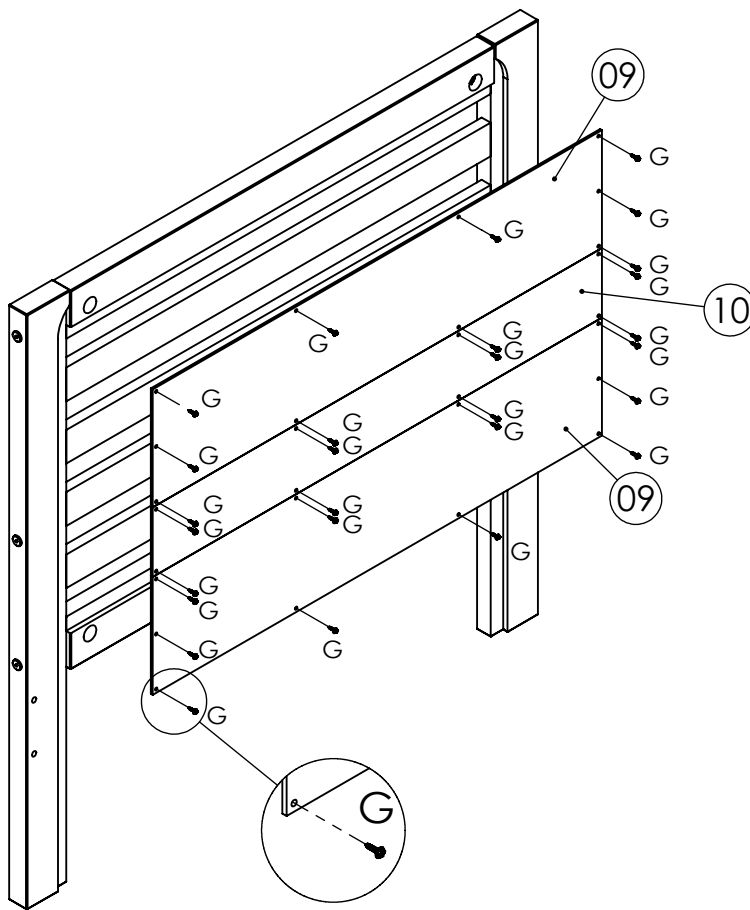
ATTACH CROSS BOARDS (05,06,07)
TO POSTS (01,02).
TIGHTEN CROSS BOARDS (05)
USING BOLTS (C) & NUTS (F)
TIGHTEN CROSS BOARD (07)
USING LAG BOLTS (D)

C	 (17) 1/4 X 130	04
D	 (17) 7 X 130	02

F		04
J		01

STEP 3

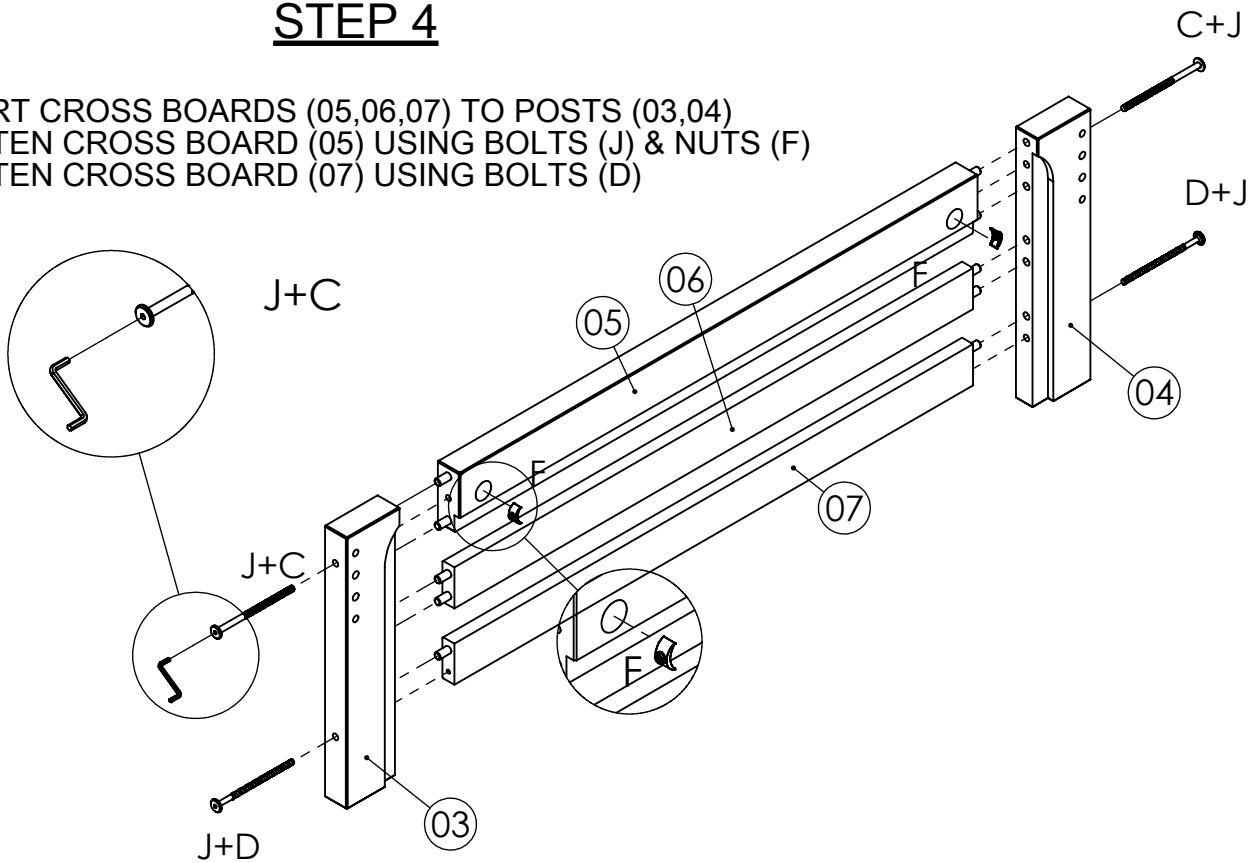
ATTACH PANELS (09,10) TO THE BACK OF HEAD BOARD. TIGHTEN USING SCREWS (G)






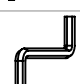
G		CF 3,5X16	28
---	---	-----------	----

STEP 4

INSERT CROSS BOARDS (05,06,07) TO POSTS (03,04)
TIGHTEN CROSS BOARD (05) USING BOLTS (J) & NUTS (F)
TIGHTEN CROSS BOARD (07) USING BOLTS (D)

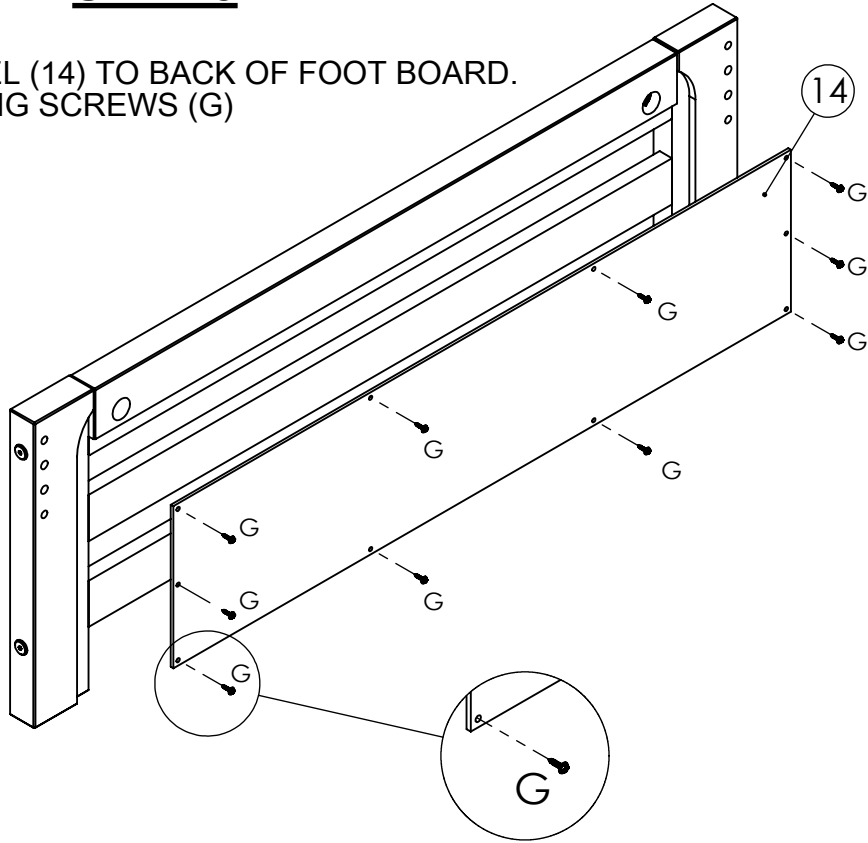


C		(17) 1/4 X 130	02
D		(17) 7 X 130	02

F			02
J			01

STEP 5

ATTACH PANEL (14) TO BACK OF FOOT BOARD.
TIGHTEN USING SCREWS (G)



G

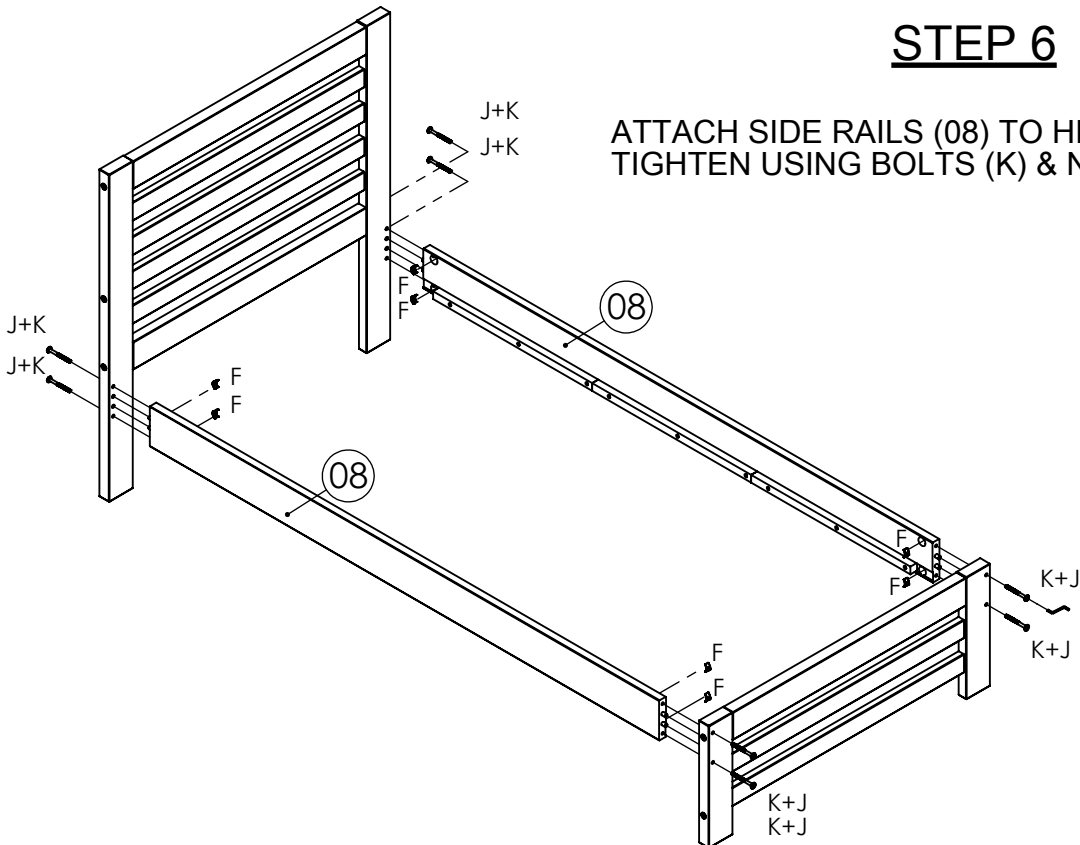


CF 3,5X16

10

STEP 6

ATTACH SIDE RAILS (08) TO HEAD & FOOT BOARD
TIGHTEN USING BOLTS (K) & NUTS (F)



F



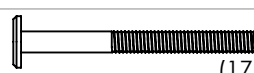
08

J



01

K

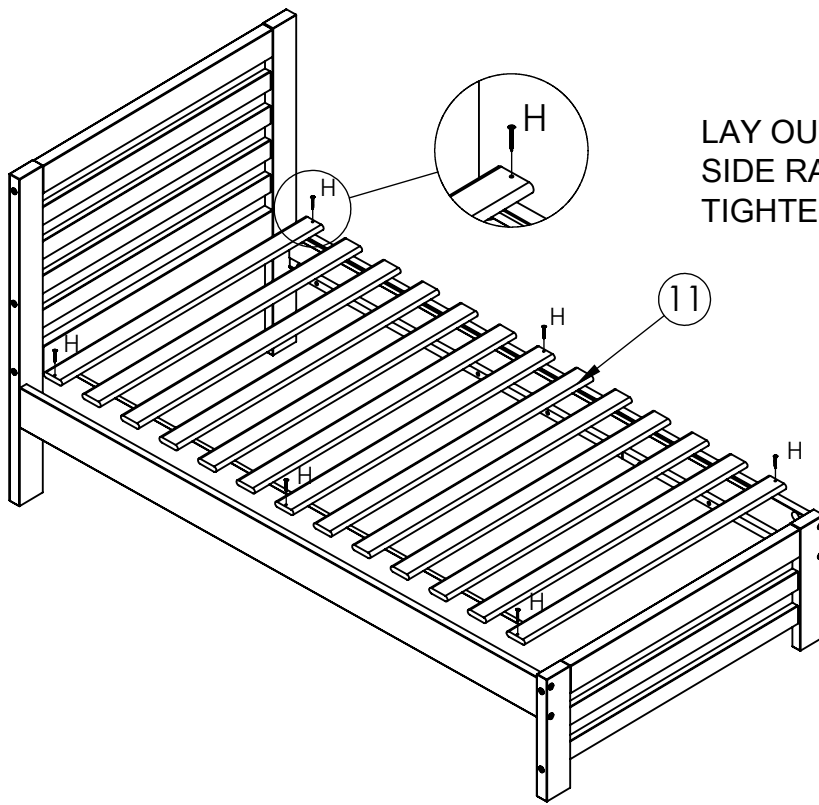


(17) 1/4 X 80

08

STEP 7

LAY OUT SLAT KIT (11) INTO THE
SIDE RAILS
TIGHTEN USING SCREWS (H)



H



CC 4X35

06

