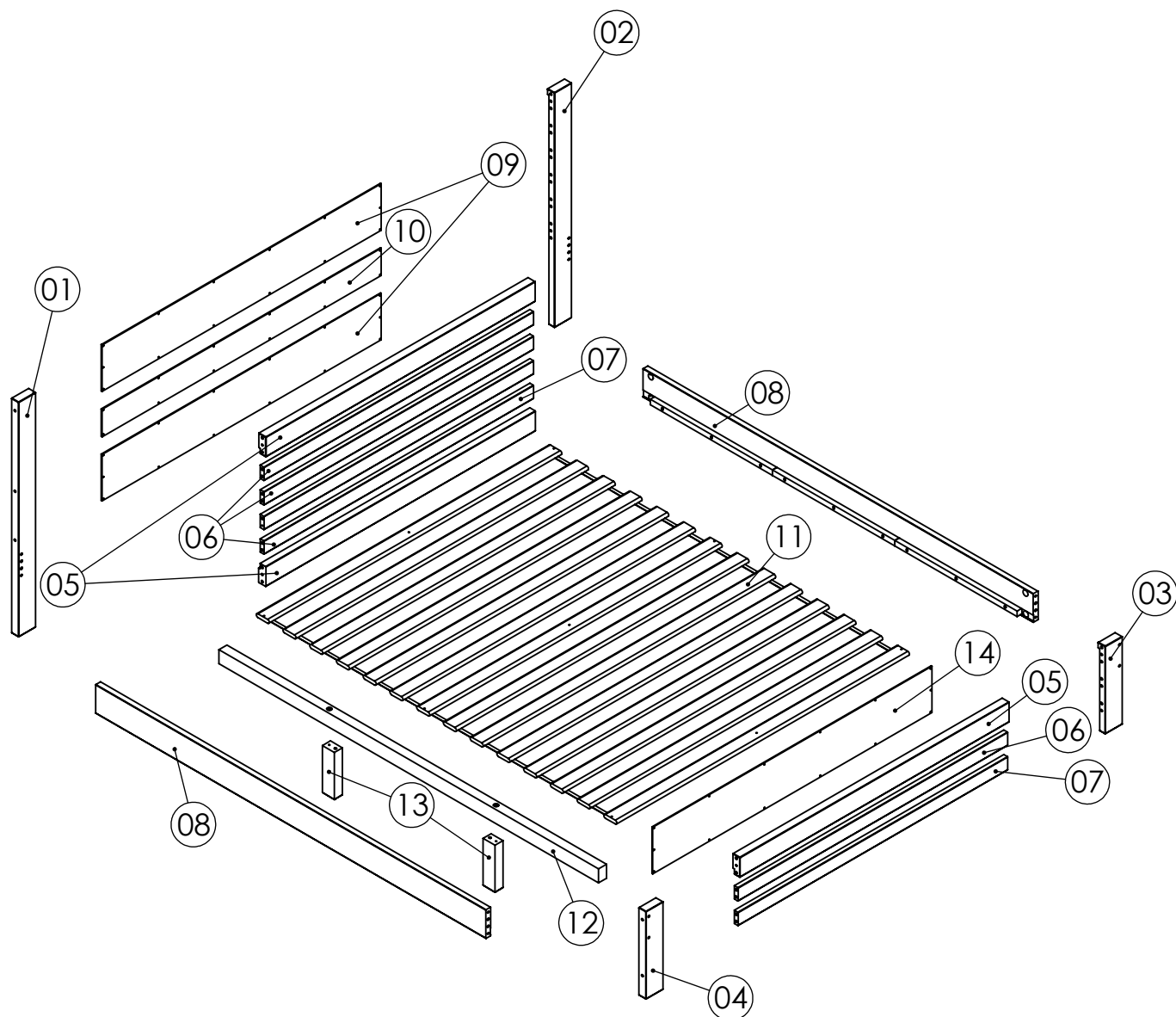
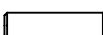
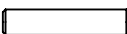




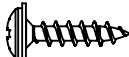


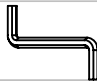
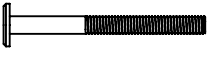



COMPONENTS



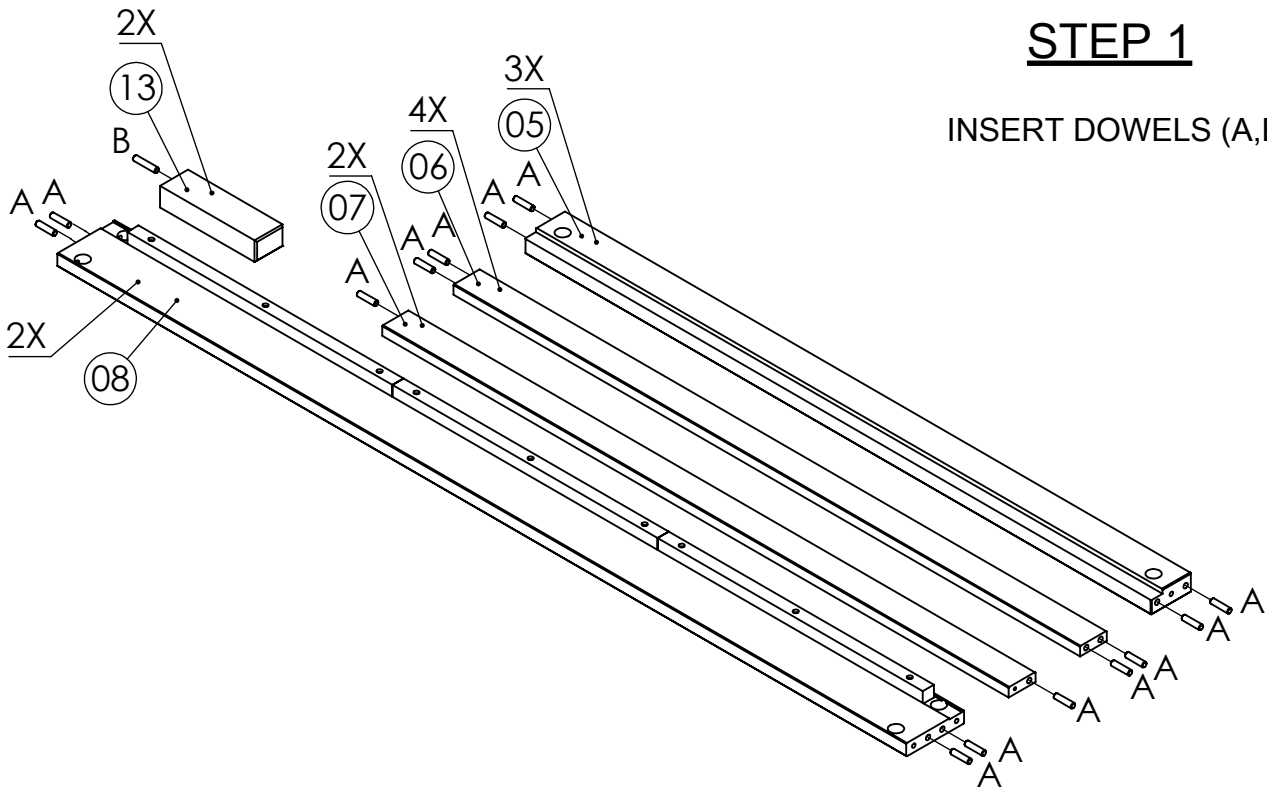
HARDWARE

| | | | |
|---|---|----------------|----|
| A |  | 10X40 | 40 |
| B |  | 10X50 | 02 |
| C |  | (17) 1/4 X 130 | 06 |
| D |  | (17) 7 X 130 | 04 |
| E |  | (17) 7 X 90 | 02 |
| F |  | | 14 |

| | | | |
|---|---|---------------|----|
| G |  | CF 3,5X16 | 54 |
| H |  | CC 4X35 | 09 |
| I |  | | 01 |
| J |  | | 01 |
| K |  | (17) 1/4 X 80 | 08 |
| L |  | CC 3,5X16 | 06 |

STEP 1

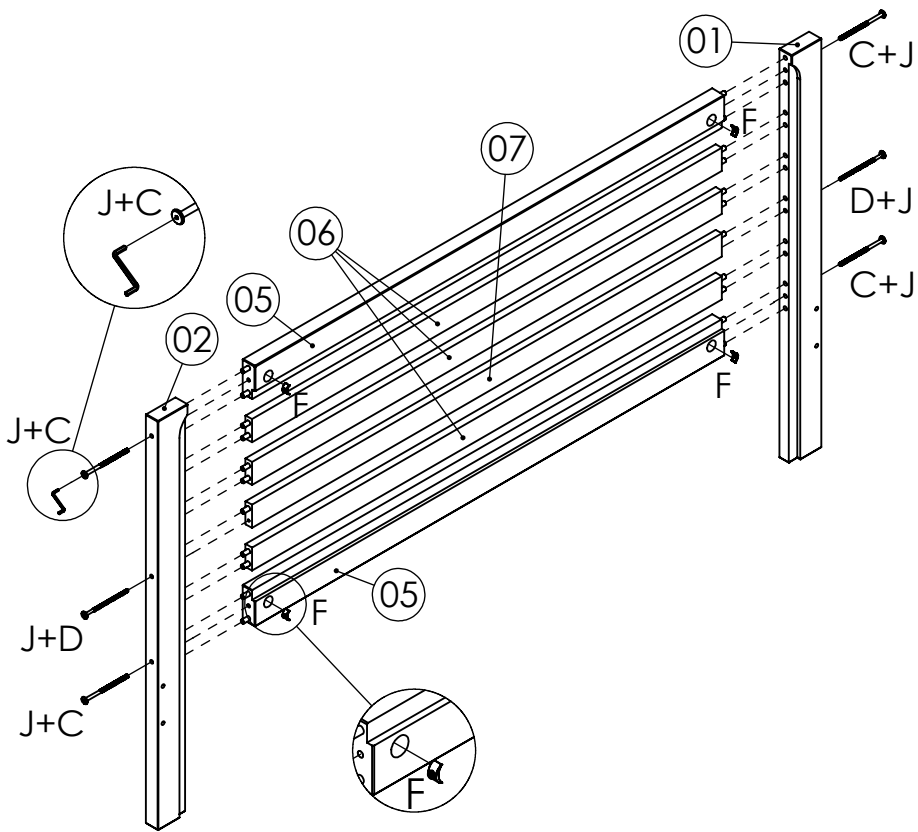
INSERT DOWELS (A,B)



| | | |
|---|--|----|
| A | | 40 |
| B | | 02 |

STEP 2

ATTACH CROSS BOARDS (05,06,07) TO POSTS (01,02).
 TIGHTEN CROSS BOARDS (05) USING BOLTS (C) & NUTS (F)
 TIGHTEN CROSS BOARD (07) USING LAG BOLTS (D)

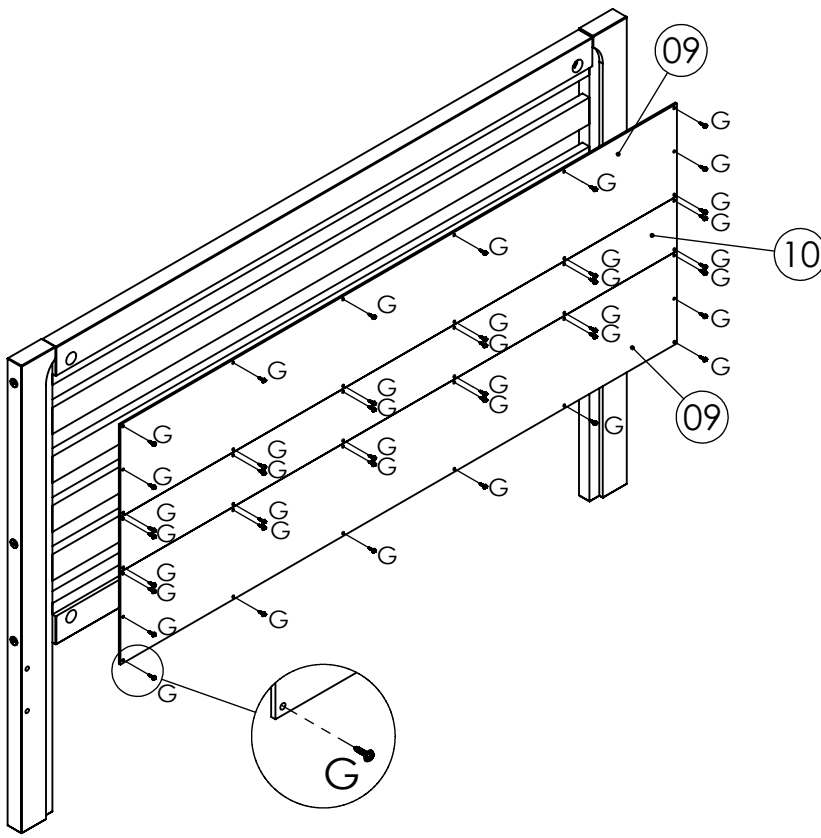


| | | |
|----------------|--|----|
| C | | 04 |
| (17) 1/4 X 130 | | |
| D | | 02 |
| (17) 7 X 130 | | |

| | | |
|---|--|----|
| F | | 04 |
| J | | 01 |

STEP 3

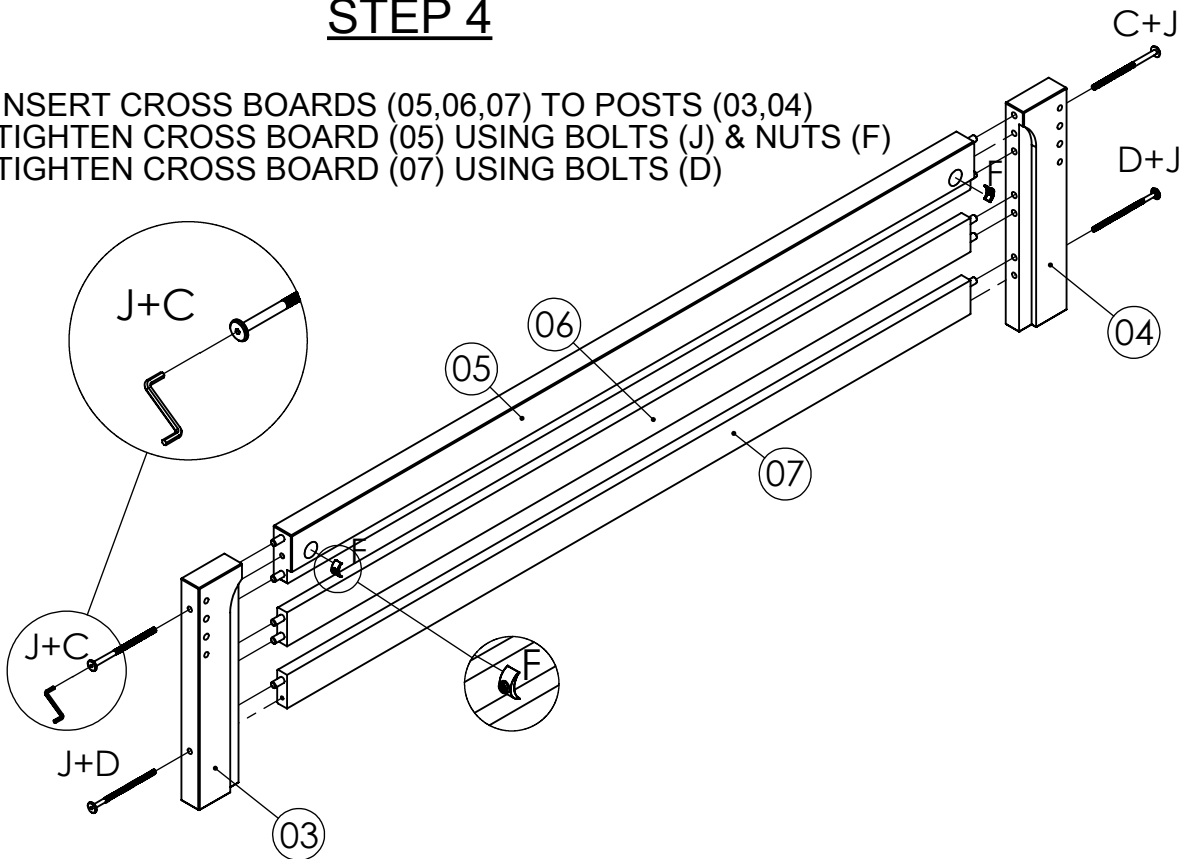
ATTACH PANELS (09,10) TO THE BACK OF HEAD BOARD. TIGHTEN USING SCREWS (G)


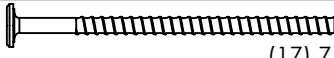




| | | | |
|---|---|-----------|----|
| G |  | CF 3,5X16 | 40 |
|---|---|-----------|----|

STEP 4

INSERT CROSS BOARDS (05,06,07) TO POSTS (03,04)
 TIGHTEN CROSS BOARD (05) USING BOLTS (J) & NUTS (F)
 TIGHTEN CROSS BOARD (07) USING BOLTS (D)

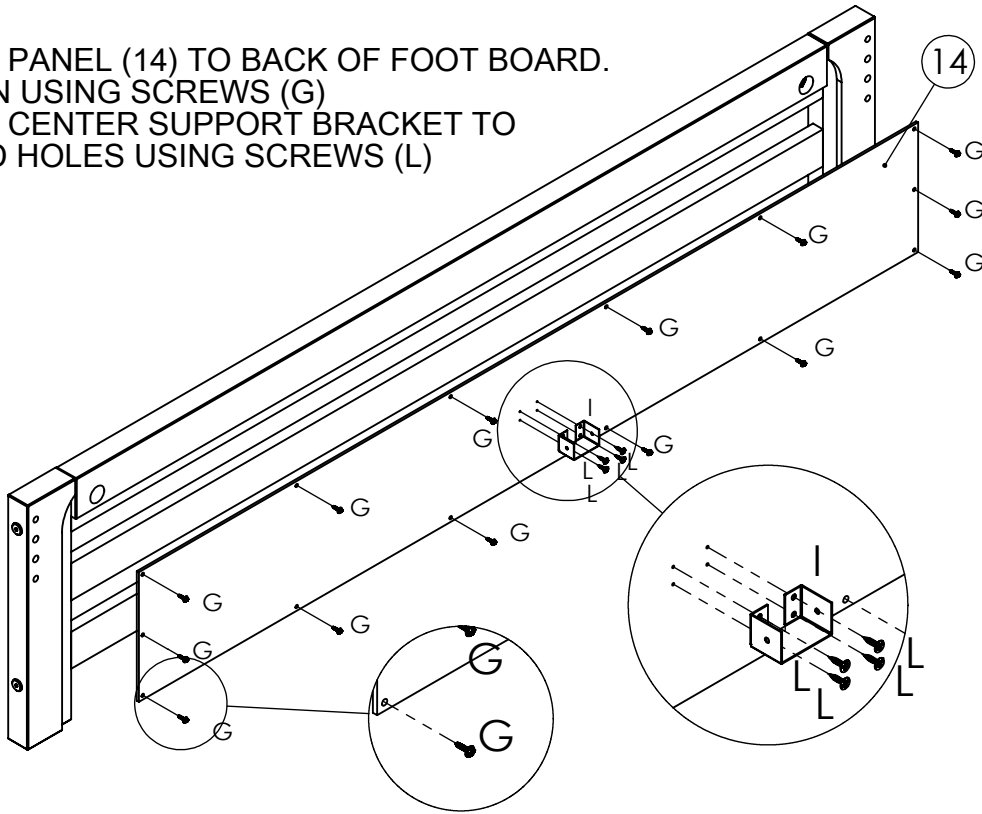


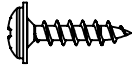

| | | | |
|---|---|----------------|----|
| C |  | (17) 1/4 X 130 | 02 |
| D |  | (17) 7 X 130 | 02 |

| | | | |
|---|---|--|----|
| F |  | | 02 |
| J |  | | 01 |

STEP 5

ATTACH PANEL (14) TO BACK OF FOOT BOARD.
TIGHTEN USING SCREWS (G)
ATTACH CENTER SUPPORT BRACKET TO
MARKED HOLES USING SCREWS (L)

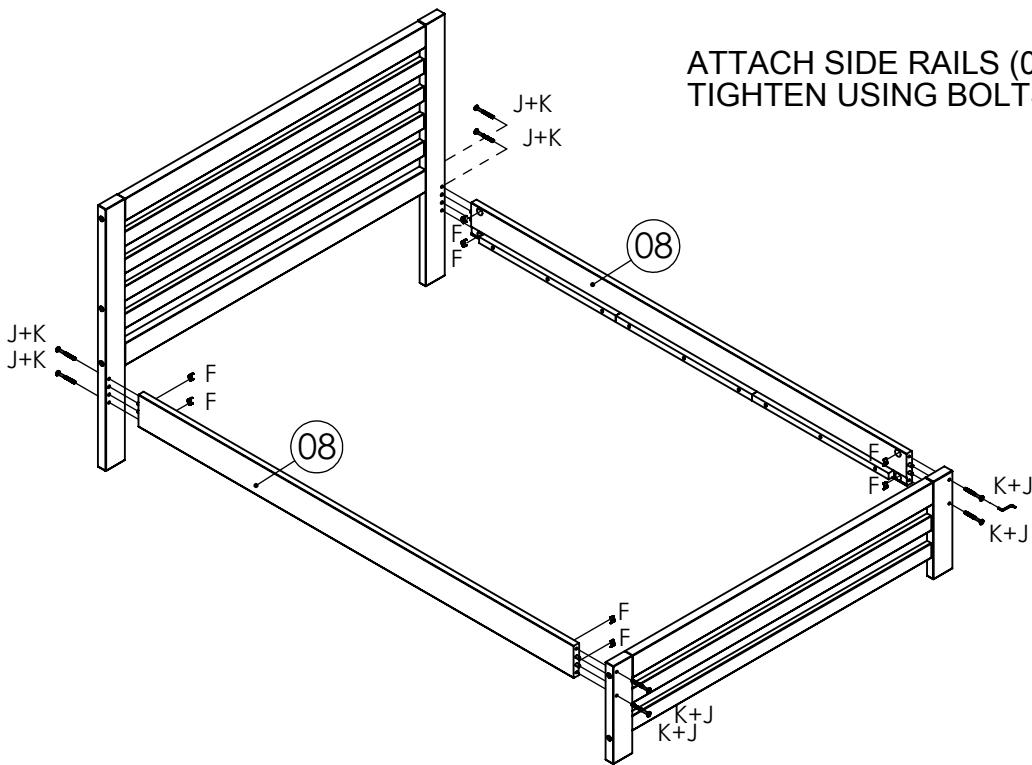



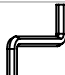
| | | | |
|---|---|-----------|----|
| G |  | CF 3,5X16 | 14 |
| I |  | | 01 |

| | | | |
|---|---|-----------|----|
| L |  | CC 3,5X16 | 04 |
|---|---|-----------|----|

STEP 6

ATTACH SIDE RAILS (08) TO HEAD & FOOT BOARD
TIGHTEN USING BOLTS (K) & NUTS (F)

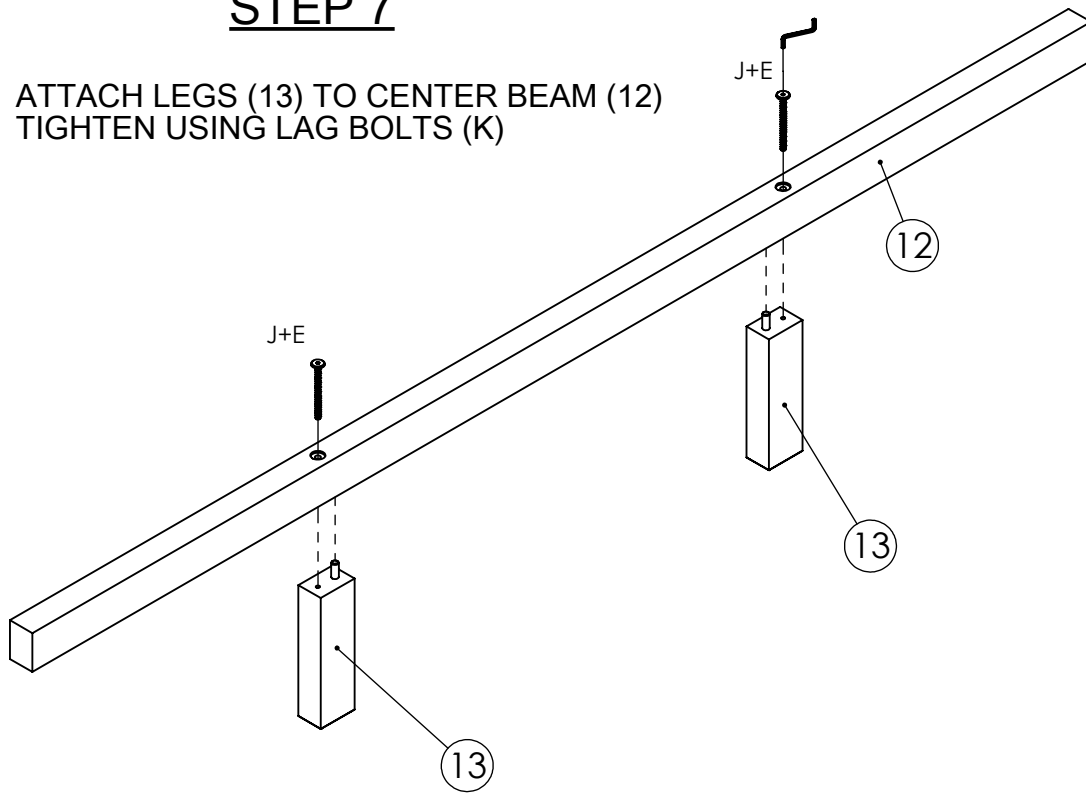


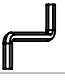
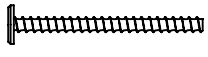
| | | |
|---|---|----|
| F |  | 08 |
| J |  | 01 |

| | | | |
|---|--|---------------|----|
| K |  | (17) 1/4 X 80 | 08 |
|---|--|---------------|----|

STEP 7

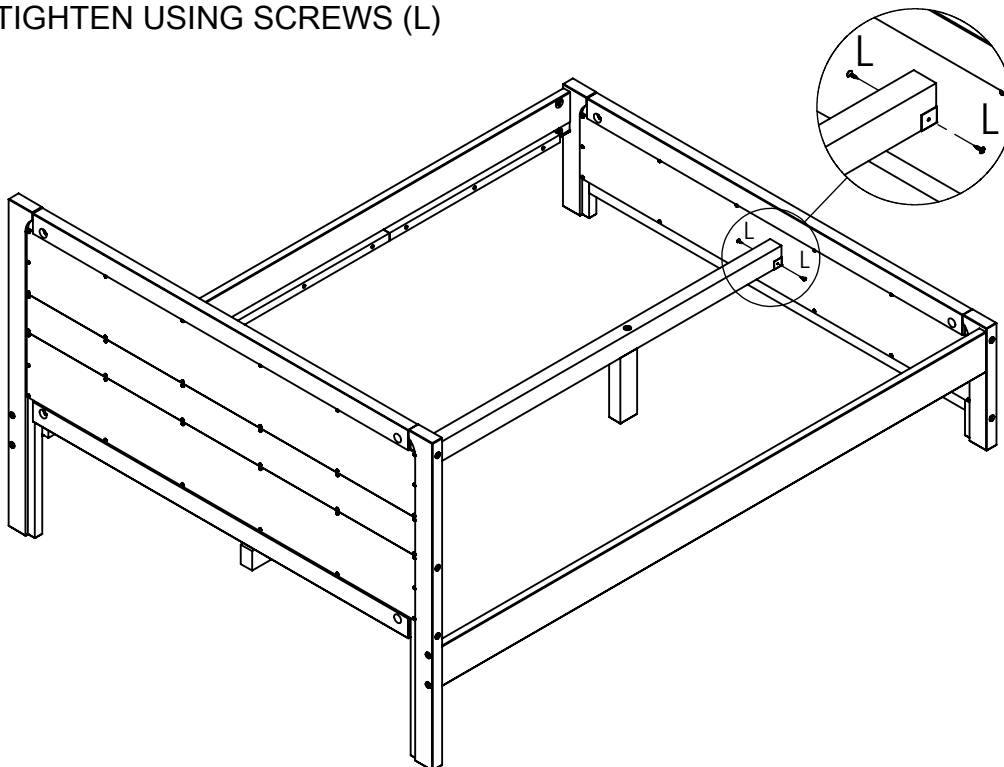
ATTACH LEGS (13) TO CENTER BEAM (12)
TIGHTEN USING LAG BOLTS (K)




| | | |
|---|--|----|
| J |  | 01 |
| E |  (17) 7 X 90 | 02 |

STEP 8

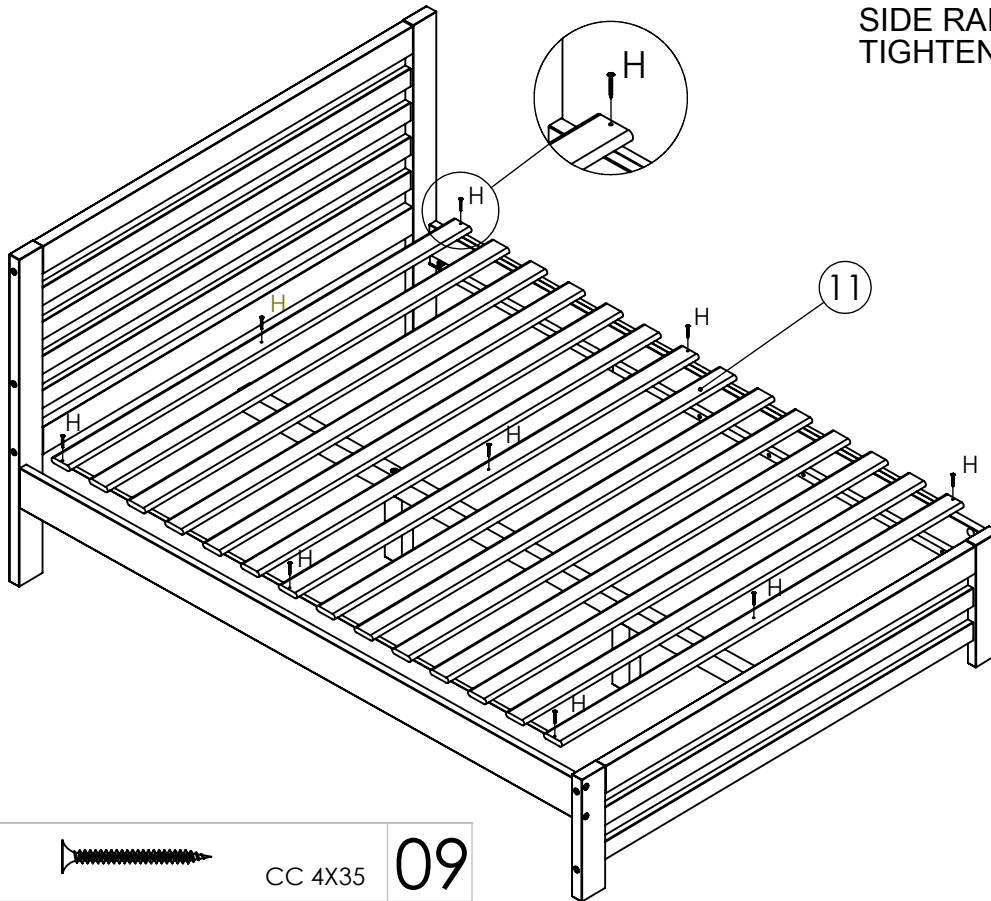
PLACE CENTER BEAM INTO SUPPORT BRACKET.
TIGHTEN USING SCREWS (L)



| | | | |
|---|---|-----------|----|
| L |  | CC 3,5X16 | 02 |
|---|---|-----------|----|

STEP 7

LAY OUT SLAT KIT (11) INTO THE
SIDE RAILS
TIGHTEN USING SCREWS (H)



H



CC 4X35

09

