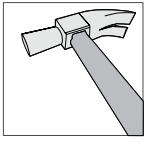
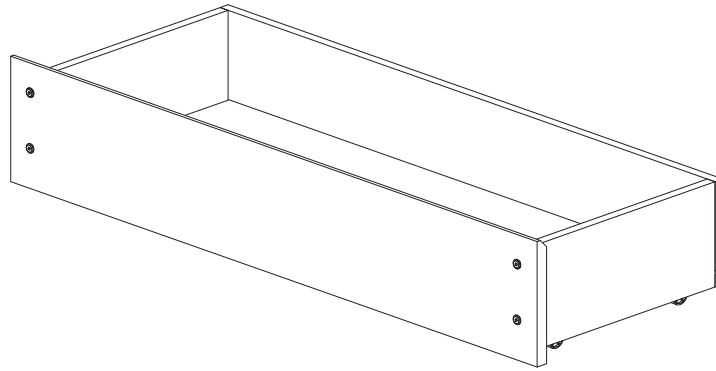


# ASSEMBLY INSTRUCTIONS — KD UBC 2 DRAWER



Hammer

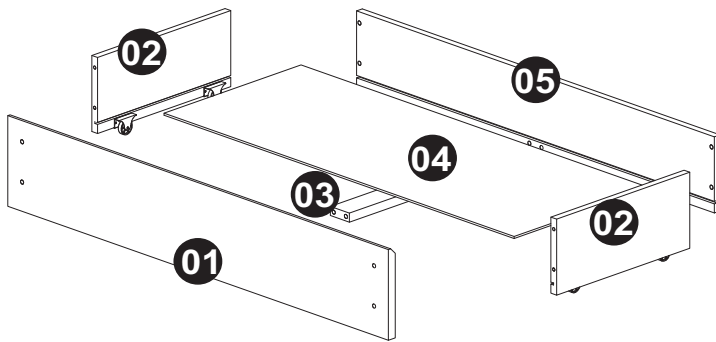


Identify the hardware using the illustrations below.

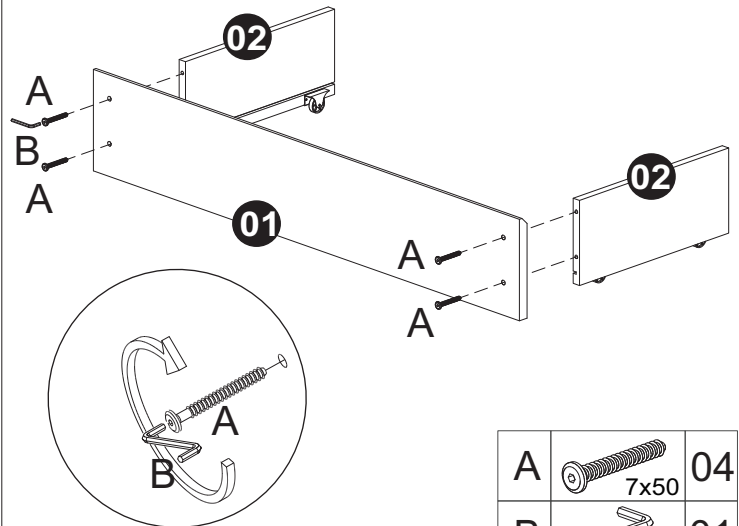
## Part List - Pair

ITEM	DESCRIPTION	QTY
1	DRAWER FRONT	02
2	DRAWER SIDE	04
3	CROSSBEAM	02
4	DRAWER BASE	02
5	DRAWER BACK	02

A	7x50	16
B		01
C	Ø 8x30	08

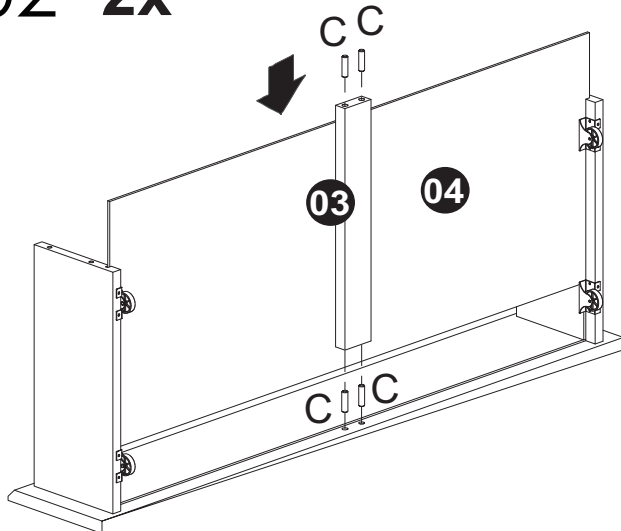


01 2x

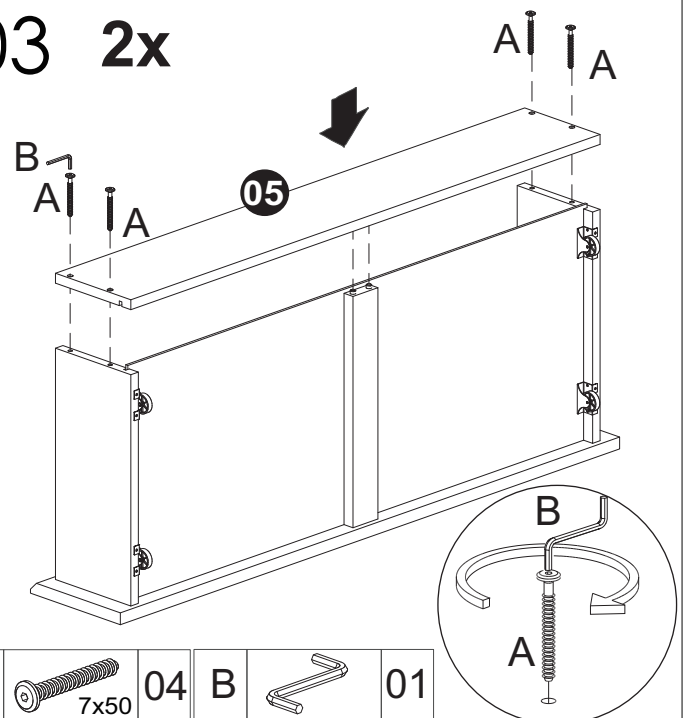


A	7x50	04
B		01

02 2x



03 2x



C	Ø 8x30	04	A	7x50	04	B		01
---	--------	----	---	------	----	---	--	----